

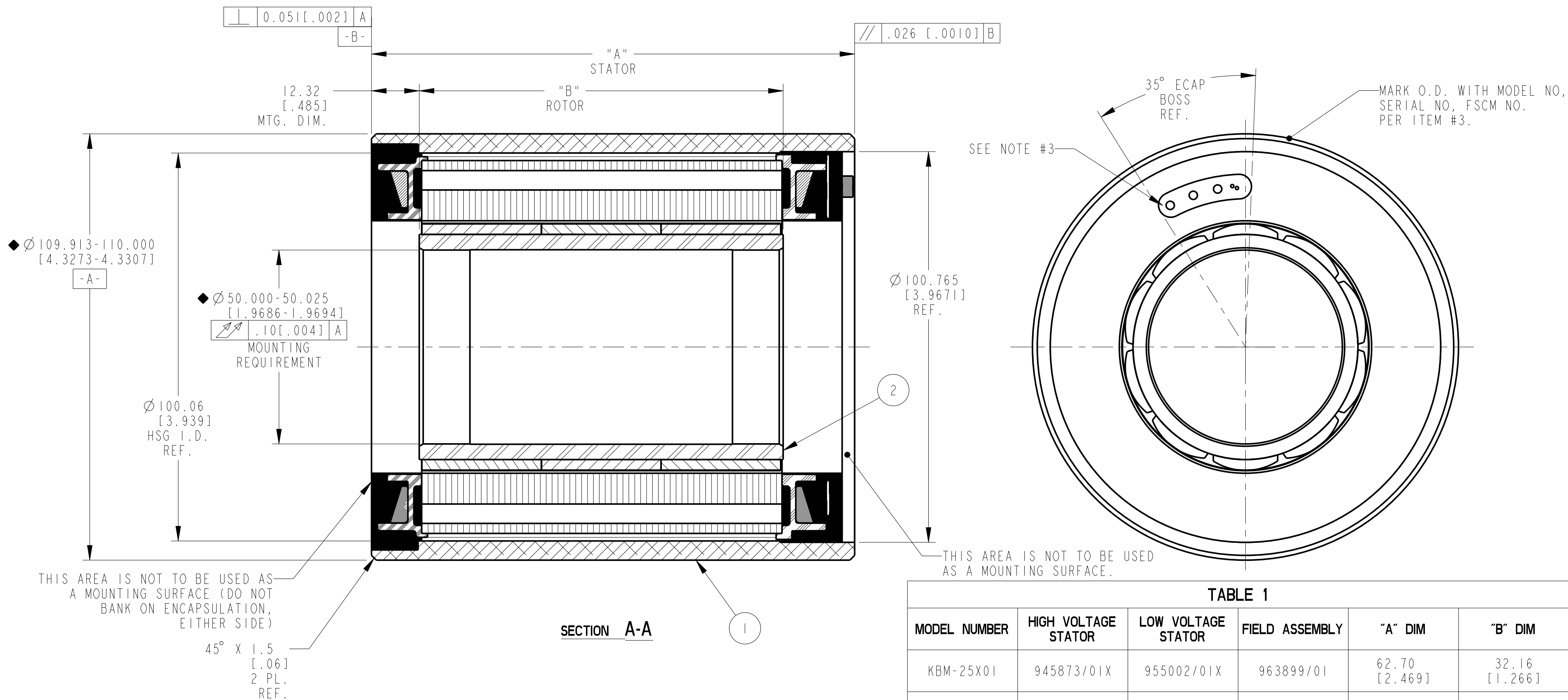
NOTES:

- 1- MOTOR SUPPLIED AS TWO SEPERATE COMPONENTS, STATOR ASSEMBLY AND FIELD ASSEMBLY.
- 2- FOR A C.C.W. ROTATION, AS VIEWED FROM LEAD END, ENERGIZE PER EXCITATION SEQUENCE TABLE.
- 3- RECOMMENDED MIN. LEAD BEND RADII = 5 X LEAD O.D. FOR NON-FLEXING APPLICATIONS. CONSULT IPC/WHMA-A-620 FOR ADDITIONAL RECOMMENDATIONS.
- 4- ROHS AND REACH COMPLIANCE REQUIRED IN ACCORDANCE WITH KOLLMORGEN PRODUCT ENVIRONMENTAL COMPLIANCE SPECIFICATION, 960303, IN ITS LATEST REVISION.

THERMISTOR LEADS:
 #26 AWG TEFLON COATED
 UL RATED 600V, 150°C MIN,
 400.00 [15.75"] MIN. LG.
 EACH 1-BLUE, 1-BLACK

MOTOR LEADS:
 #14 AWG TEFLON COATED PER
 UL 10086, 400.00 [15.75"] MIN. LG.
 EACH 1-BLUE, 1-BROWN, 1-VIOLET

REVISION				
REV	ECN NO.	DESCRIPTION	DATE	APPROVED
A	R01_14145	SEE ECO L&T	20-Jan-11	LW
B	R01_14824	SEE ECO M.STONE	1-5-12	LW
C	R01_15266	SEE ECO KLR	1/17/13	LW
D	R01_15601	SEE ECO ALM	8/12/13	KLR
E	R01_17444	SEE ECO ALM	4/11/16	LW



MODEL NUMBER	HIGH VOLTAGE STATOR	LOW VOLTAGE STATOR	FIELD ASSEMBLY	"A" DIM	"B" DIM
KBM-25X01	945873/01X	955002/01X	963899/01	62.70 [2.469]	32.16 [1.266]
KBM-25X02	945873/02X	955002/02X	963899/02	93.70 [3.689]	63.05 [2.482]
KBM-25X03	945873/03X	955002/03X	963899/03	124.70 [4.909]	93.93 [3.698]
KBM-25X04	945873/04X	955002/04X	963899/04	155.70 [6.130]	124.82 [4.914]

STEP	PHASE "U" BLUE	PHASE "V" BROWN	PHASE "W" VIOLET
1	(+)	(-)	
2	(+)		(-)
3		(+)	(-)
4	(-)	(+)	
5	(-)		(+)
6		(-)	(+)

EXCITATION SEQUENCE TABLE

THIS DOCUMENT IS ONLY FOR USE BY THE INTENDED RECIPIENT AND CONTAINS KOLLMORGEN CONFIDENTIAL INFORMATION

Pro/E Instance Name: KBM_25XXX_945876
 Pro/E Drawing Name: 945876
 Pro/E Model Type: ASSEM
 Pro/Engineer Drawing

3 AR IM-2709 MARKING PROCEDURE
 2 I SEE TABLE 1 FIELD ASSEMBLY
 1 I SEE TABLE 1 STATOR ASSEMBLY

ITEM	QTY	IDENTIFYING NO.	DESCRIPTION
LIST OF PARTS			
KOLLMORGEN		501 MAIN STREET RADFORD, VIRGINIA 24141	
OUTLINE AND ASSEMBLY KBM- 25XXX-X00			
DO NOT SCALE DRAWING, USE DIMENSIONS ONLY. ALL DIMENSIONS ARE IN MILLIMETERS. DIMENSIONS IN BRACKETS [] ARE IN INCHES AND ARE FOR REFERENCE ONLY.	DRWN BY: L&T	DATE: 09-Apr-09	FSCM: 11384
	CHECKED BY: LW	DATE: 17-Sep-09	SIZE: C
	APPROVED BY: AG	DATE: 17-Sep-09	DWG. NO.: 945876
INTERPRET GEOMETRIC SYMBOLS PER ANSI Y14.5M-1982	SCALE: 5:4	JOB NO.:	REV: E
			SHEET 1 OF 1

945876